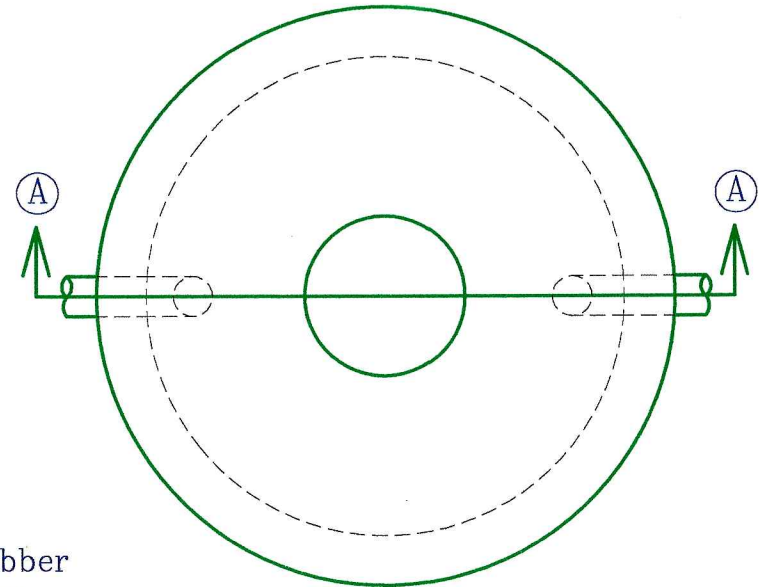
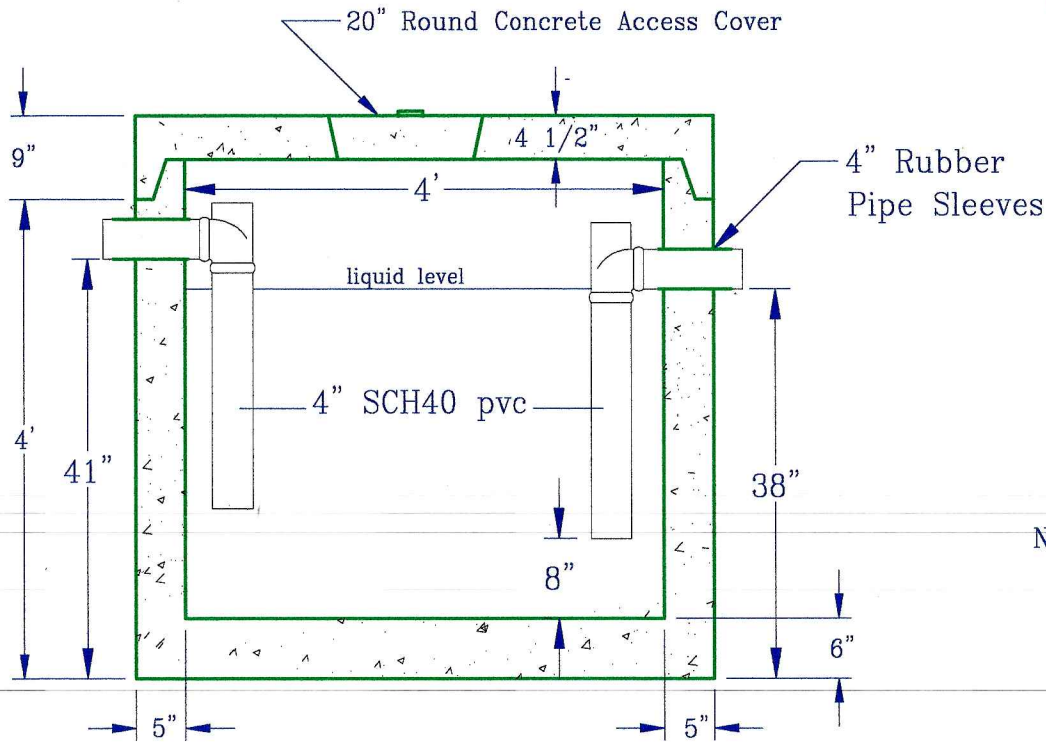


OPTIONAL: Flattop w/ C.I. Frame & Cover



PLAN VIEW



SECTION A-A

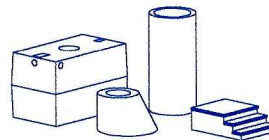
NOTES:

1. Minimum Compressive Strength:
4000 PSI @ 28 days.
2. Conforms to ASTM-C478 Specifications.
3. Liquid capacity of 4' ID Barrel is
8 gallons per inch of depth.

Aroosta Cast, Inc.

217 Parsons Road
Presque Isle, ME 04769

Tel/Fax: 207-764-0077 sales@aroostacast.com



DRAWING: Oil-Water Separator
48" ID Barrel Style

SCALE: nts

PAGE 1 OF 1